

OFFICE OF THE CITY ATTORNEY
ROBERT E. SHANNON, City Attorney
333 West Ocean Boulevard, 11th Floor
Long Beach, CA 90802-4664

1
2
3
4
5
6
7
8
9
10
11
12
13
14
15
16
17
18
19
20
21
22
23
24
25
26
27
28

exhibits, shall apply to the Rosie the Riveter Park Lighting.”

2. The proposals attached hereto as Exhibit “AA” shall be attached to Lighting Contract No. 24289 as Exhibit “AA” thereto.

3. Except as expressly amended herein, all of the terms and conditions in Lighting Contract No. 24289, as previously amended, are ratified and confirmed and shall remain in full force and effect.

IN WITNESS WHEREOF, the parties have caused this document to be duly executed with all formalities required by law as of the date first stated above.


LIGHT & POWER ^{AK}
~~WS POWER & LIGHT, INC.~~, a California corporation

By  _____
President

By  _____
Secretary

“WS”


CITY OF LONG BEACH, a municipal corporation

By  _____
City Manager

“City”

This Twenty-Seventh Amendment to Lighting Contract No. 24289 is approved as to form on June 23, 2010.

ROBERT E. SHANNON, City Attorney

By  _____
Deputy

Developing Utility Solutions



Exhibit AA: Lighting Proposal

City Light & Power, Inc.
2951 Redondo Avenue
Long Beach
California 90805
Tel: 562 983 2000
Fax: 562 983 7870

June 21, 2010

Sandra J. Gonzalez
Manager, Planning and Development Bureau
Department of Parks, Recreation & Marine
2760 Studebaker Road,
Long Beach, CA 90815-1697

RE: ROSIE THE RIVETER PARK LIGHTING PROJECT

Dear Ms. Gonzalez:

City Light & Power, Inc. (CLP) is proud to present the following cost budget proposal for providing the turnkey lighting project located at "Rosie the Riveter Park". CLP will provide the complete installation of nine (9) post top style light poles and nine (9) post top style energy efficient light emitting diode (LED) lighting fixtures, as well as two (2) 120 volt outlets located at two different light pole locations. This project will also include the installation of six (6) in-ground up-light fixtures to illuminate the three (3) proposed flags to be installed. Please refer to the attached specifications and design layout for the project. The light poles are from an existing park within the city and were no longer being used. The light poles are not new so imperfections may exist. The total cost of the project is seventy one thousand, eight hundred seventy dollars ~~(\$71,870.00)~~. Thank you for this opportunity, if you would like to move forward or have any questions please contact me.

Sincerely,

William J. Simmons
Vice President

Enclosures

See attachment



Fw: Rosie the Riveter Park Lighting
Robert Livingstone to: Theresa Graham
Cc: Phil Hester, Gary Anderson, Alan Kosoff

09/16/2010 03:50 PM

History: This message has been replied to.

Theresa-

As I said, Gary Anderson indicated that this would be sufficient since the amount is within the purview of the original City Council action.

If you have any other questions, please feel free to contact me.

Bob

Robert Livingstone
Superintendent of Golf Operations
& Contract Management Officer
City of Long Beach, California
Department of Parks, Recreation and Marine
(562) 570-3122

----- Forwarded by Robert Livingstone/PR/CLB on 09/16/2010 03:48 PM -----

From: "Bill Simmons" <wjs@clpinc.com>
To: <Robert.Livingstone@Longbeach.gov>
Date: 09/16/2010 03:47 PM
Subject: Rosie the Riveter Park Lighting

Bob,

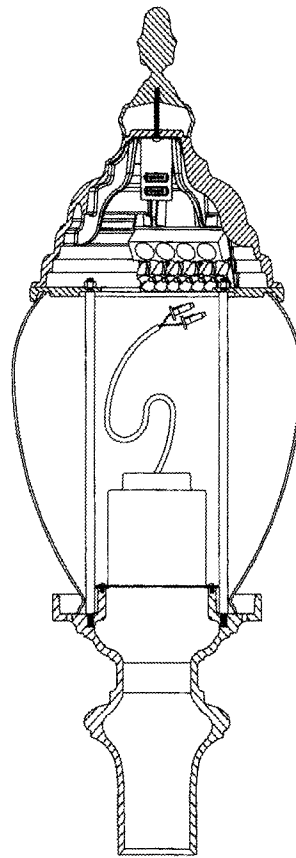
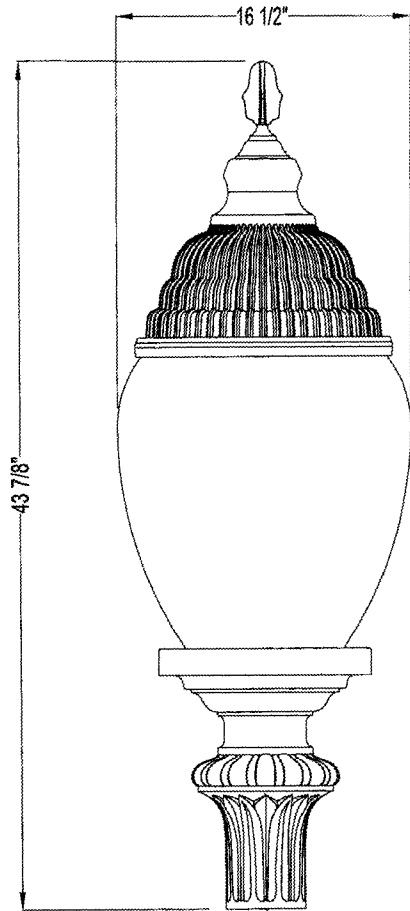
Per our conversation this afternoon regarding the pricing for the new lighting at Rosie the Riveter Park. To clarify the pricing on this project we will provide 10 post top "globe" fixtures and poles (all used equipment, except for lamps and some ballasts), 6 flag up-lights (all new), 3 wall up-lights (all new), and 2 x 120V outlets (all new), for a total of \$60,000.00. The cost of the project is slightly more but CLP is sensitive to the nature of this project and the budget restrictions and will only charge the city \$60,000.00 for the complete lighting project.

Please call me if you have any questions at all.

Thanks,
Bill

William J. Simmons
CITY LIGHT & POWER, INC.
(562) 983-2000 - Office
(562) 216-2155 - Direct

This drawing is the property of Spring City Electrical Manufacturing Co. and is to be used only by the recipient with the understanding that it is not to be reproduced, distributed, or used for any purpose other than specifically furnished except with Spring City's written permission.



TO ACCEPT A 3 1/2" DIA. X 3" HIGH TENON


LUMINAIRE SPECIFICATIONS

STYLE: WASHINGTON WITH COOLCAST™ HEAT DISSIPATING ARMORY SQ. ROOF AND 118 FINIAL - LED SYSTEM
 HEIGHT: 43 7/8"
 WIDTH: 16 1/2"
 MATERIAL: CAST ALUMINUM ALLOY ANSI 356 PER A.S.T.M. B26-95
 GLOBE: STIPPLED ACRYLIC
 DISTRIBUTION: TYPE II - ASYMMETRIC
 FINISH: PRIME PAINT THEN FINISH SHERWIN WILLIAMS ACROLON - PLEASE ADVISE COLOR
 LAMPING: CREE MCE AND XPE LED - PLEASE ADVISE WATTAGE (LEO__) 99 WATT MAX
 VOLTAGE: ELECTRONIC WIRED AT (EV1) 120 (EV8) 208 (EV2) 240 (EV7) 277
 COLOR TEMPERATURE: 3000K 4500K 6000K

OPTIONAL - BUTTON TYPE

PROJECTED AREAS AND WEIGHT

SECTION	PROJ. AREA	Cd	E.P.A.
FIXTURE	2.15 Sq. Ft.	1.20	2.58 Sq. Ft.
TOTAL ASSEMBLY WEIGHT			30 LBS.



Spring City Electrical Mfg. Co.
 HALL AND MAIN STREETS - P.O. BOX 19 - SPRING CITY, PA. 19475
 PHONE (610) 948-4000 FAX (610) 948-5577
 E-mail ADDRESS: sales@springcity.com

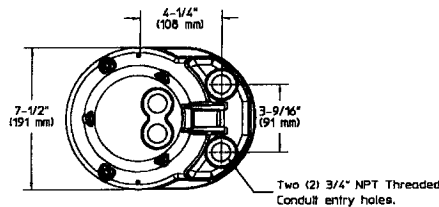
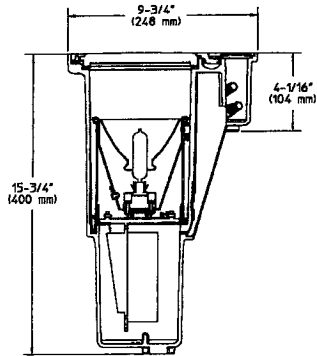
DESCRIPTION	ALMWSH-LE0_/EV_/XX-YS11-FPA-AS	PDF
-------------	--------------------------------	-----

HID (I25) Specification Sheet

Project Name	Location	MFG: Philips Hadco
Fixture Type	Catalog No.	Qty

Ordering Guide

Example: I25 SS SP 20T4



Product Code	I25	HID	
Finish	SS	Stainless steel (MATTE FINISH)	
	N	Natural Bronze	
Optics	SP	Spot	
	NF	Narrow Flood	
	FL	Flood	
	O	No Reflector	
Wattage	20T4	20W MH T4	*1
	35T4	35W MH T4	*1
	70T4	70W MH T4	*1
	35T6	35W MH T6	*1
	70T6	70W MH T6	*1
	35H	35W MH PAR20/30	*1
	50H	50W MH E17	*1
	70H	70W MH E17, PAR30	*1

*1 All HID electronic ballasts are universal voltage 120-277VAC 50/60Hz.

Specifications

HOUSING:

Single-piece compression molded fiberglass reinforced polyester composite, factory pressure tested to ensure water will not wick or leak through. Separate sealed compartments provide isolation between field wiring, optics, and ballast (MH and CFL). Isolated, grade-mounted sealed wiring compartment with two (2) 3/4" threaded conduit inlets in bottom for feed-through wiring capabilities and supplied with gel-filled wire nuts. Cast cover to match trim ring with two captive stainless steel slotted Phillips machine screws for access. Potted factory seal with anti-wicking wiring between grade-level junction compartment and ballast compartment. Isolated ballast compartment with key-slotted, silicone-gasket cover. Rock guard made of cast brass (natural finish) or cast stainless steel (satin finish). Ring is factory pre-drilled for optional guard. Trim ring is natural cast bronze or cast stainless steel. Lens ring is hinged with two captive stainless slotted Phillips machine screws for access to lamping compartment (tamper-resistant screws available upon request.) Half dome 360 degree field adjustable for glare control, constructed of natural cast brass (natural finish) or cast stainless steel (satin finish) to match lens ring. Both options are designed to mount utilizing factory pre-drilled holes on lens ring with water channel to allow lens to stay free of dirt and contamination build-up.

FINISH:

Composite is pressure formed, molded-in color. Natural Brass has satin matte finish. Stainless Steel has satin matte finish.

OPTICAL ASSEMBLY:

Clear, flat, molded borosilicate glass, high impact, 3000 lb. live load rated, drive-over glass, with molded 100% silicone gasket, factory adhered. Optional lens assemblies include cool touch lens, reducing lens temperatures by 35%, ice blue lens, linear or multi-directional spread lens. Sealed optical chamber. Aiming 15° either side of vertical and full 360° rotation. Angle degree marks for precise vertical aiming with tool-less LOC-AIM®. Handle enables easy tool-less removal of optical assembly for hot aiming and re-lamping, simply press-fit back into place. High performance aluminum reflector for optimum symmetrical light output. Reflectors for E17 available for spot or flood beam pattern. Reflectors for T4 and T6 available for spot, narrow flood, or flood beam pattern.

LAMPING:

70W maximum MH G8.5 base: T4. 70W maximum MH G12 base: T6. 70W maximum MH Medium base: E17. 70W maximum MH Medium base: PAR/R 20/30. Lamp is not

HID (I25) Specification Sheet

Project Name	Location	MFG: Philips Hadco
Fixture Type	Catalog No.	Qty.

included. See Ordering Guide for specific lamp types and wattages available.

ELECTRICAL ASSEMBLY:

4kv rated medium base porcelain socket. Nickel-plated screw shell with center contact. Key-slotted Ballast Assembly with Quick Disconnects mounted to cast aluminum bracket for easy maintenance. Bi-pin socket type (G8.5) with 250° Celsius high temperature teflon coated wire leads. Bi-pin socket type (G12) for T6 lamps, with 250° Celsius high temperature teflon coated wire leads.

BALLAST:

All metal halide HID ballasts are Smart Select™ universal electronic that automatically detect 120-277 volts, 50/60 Hz and are regulated with power factors better than 90% (HPF). Ballast provides +/- 5% lamp power regulation with +/- 10% input voltage regulation, sound rated "A", thermally protected, internally fused, output is short circuit protected, no PCBs. Ballasts are factory pre-wired and tested. Metal Halide ballasts are capable of starting at -20° F or -30° C. 50W MH ballasts are capable of starting at 5° F or -15° C.

CERTIFICATIONS:

UL Listed to U.S. safety standards for wet locations. cUL Listed to Canadian safety standards for wet locations. Manufactured to ISO 9001:2000 Standards. ADA compliant when used in concrete and flush mounted with CPS25.

WARRANTY:

Ten-year limited warranty.

IP RATING:

IP66/68: Dust-tight and dual rated - sealed against direct jets of water and against temporary immersion at a depth greater than 1 meter (3.28 feet).

Height :

15 3/4

Width:

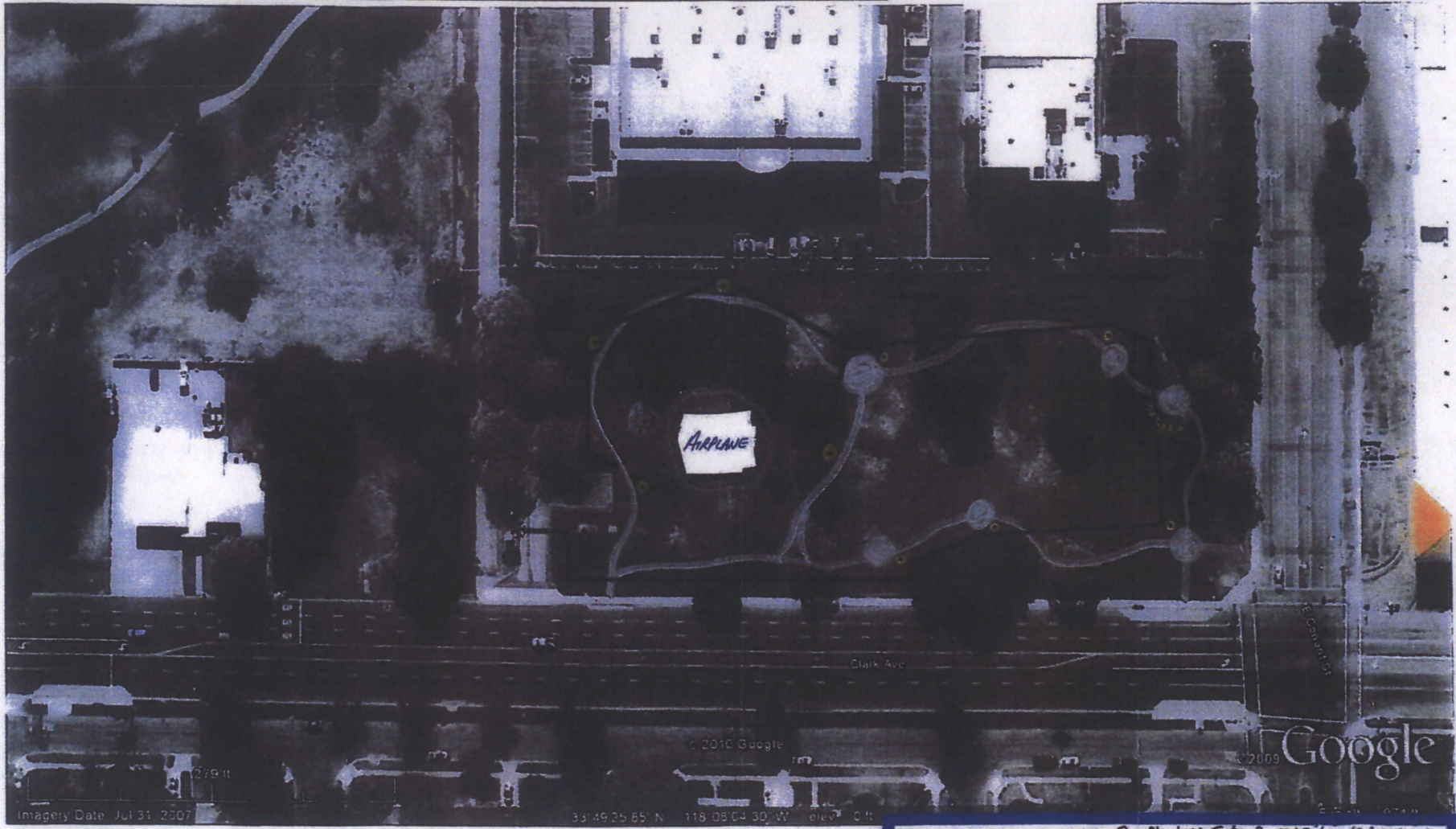
7 1/2

Depth:

9 3/4

ROSIE THE RIVETER PARK - PRLIMINARY LIGHTING PLAN

DATE: 03-10-2010



Imagery Date: Jul 31, 2007
 33° 49' 25.85" N 118° 08' 04.30" W elev: 0 ft

GFI OUTLETS - 2EA (1 AT FLAG, 1 AT PLANE)



LEGEND:

- ☐ = Flag pole Light Fixtures Qty = 6EA (2 AT FLAG)
- ⊙ = Light Pole / Fixture Qty = 9EA
- ▬ = CONCRETE PATH
- = Existing Site 480V
- ⚡ = New Proposed Service W/ meter
- = Proposed Conduit / Conductor

