



Building A Better Long Beach

February 7, 2011

REDEVELOPMENT AGENCY BOARD MEMBERS

City of Long Beach
California

RECOMMENDATION:

Approve and authorize the Executive Director to execute a first amendment to the contract with Patrick Vogel Designs, Inc. to extend the term for two years. (All Project Areas – Citywide)

DISCUSSION

On February 2, 2009, the Redevelopment Agency (Agency) awarded a contract to Patrick Vogel Designs, Inc. (Vogel) for decorative metal fabrication services. The contract is for an amount not to exceed \$200,000 over a two-year period. Although the contract has sufficient funds remaining, the term expires in February 2011 and needs a time extension for continued use.

Vogel is currently fabricating an art piece to be installed across the street from Orizaba Park (Park) titled "The Train Has Left the Station". The piece is a 12' x 10' stainless steel replica of the Red Car that historically ran from Long Beach to Los Angeles. The piece will be located on the former Pacific Electric Right-of-Way and will memorialize Zafaria Station, which was located at Anaheim Street and Obispo Avenue. Installation of the piece is anticipated for Spring 2011.

Staff recommends an amendment to the original contract to allow a two-year extension. The original contract amount will remain the same but the two-year extension will enable existing and future projects to continue within all redevelopment project areas.

SUGGESTED ACTION:

Approve recommendation.

Respectfully submitted,

ROBERT M. ZUR SCHMIEDE, AICP
ASSISTANT EXECUTIVE DIRECTOR

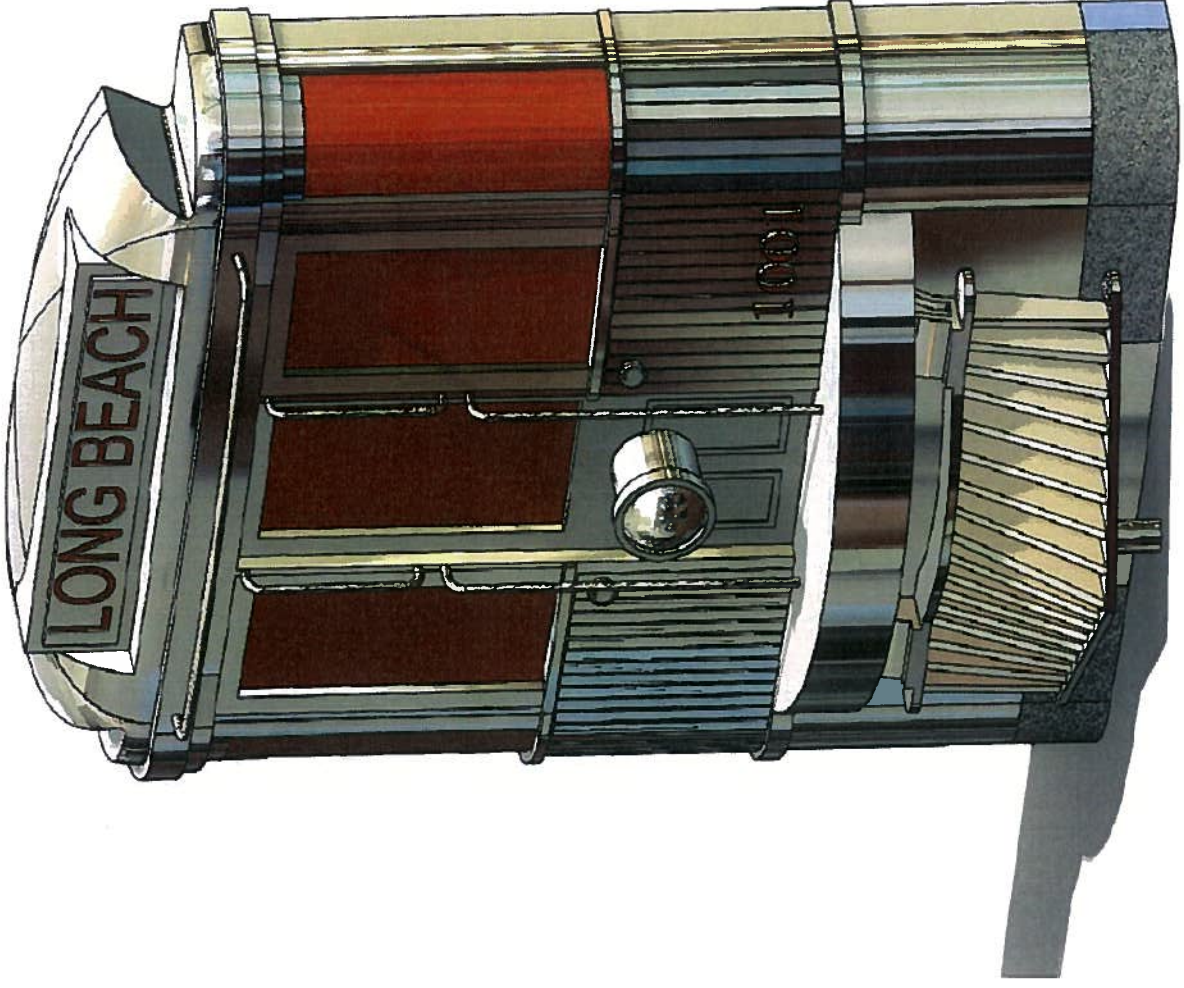
AMY J. BODEK, AICP
EXECUTIVE DIRECTOR

AJB:RMZ:DSW:TK

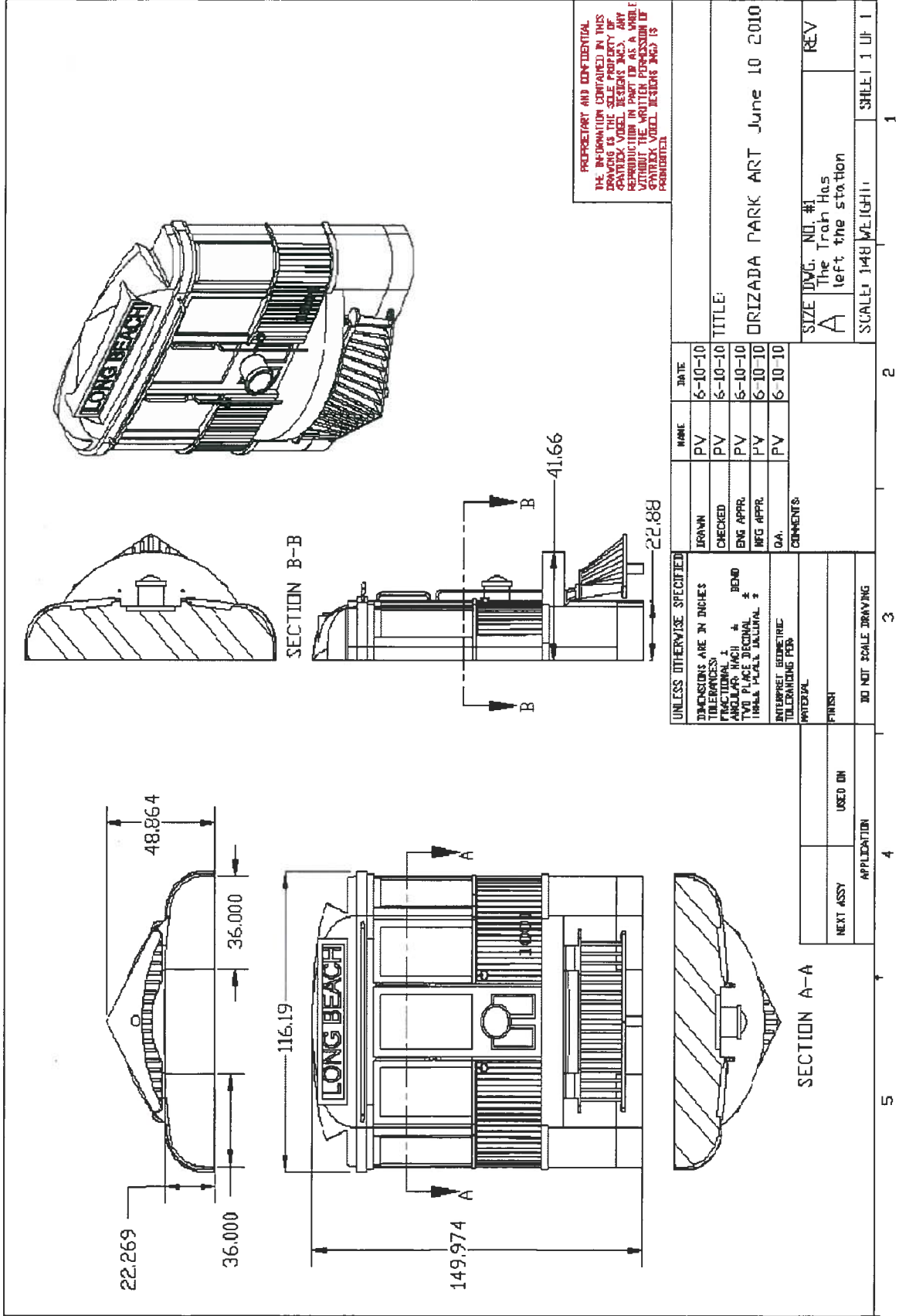
THE CITY OF LONG BEACH REDEVELOPMENT AGENCY

333 West Ocean Blvd., Long Beach, CA 90802 T: 562.570.6615 F: 562.570.6215 www.LongBeachRDA.org

Conceptual Rendering
“The Train Has Left the Station”



Structural Drawing "The Train Has Left the Station"



PROPRIETARY AND CONFIDENTIAL
THE INFORMATION CONTAINED IN THIS DRAWING IS THE SOLE PROPERTY OF ORIZADA PARK ART. ANY REPRODUCTION IN PART OR AS A WHOLE WITHOUT THE WRITTEN PERMISSION OF ORIZADA PARK ART IS PROHIBITED.

UNLESS OTHERWISE SPECIFIED	NAME	DATE
DIMENSIONS ARE IN INCHES	PV	6-10-10
TOLERANCES	CHECKED	PV
FRACTIONAL	ENG APPR.	PV
DECIMAL	MFG APPR.	PV
±	DA.	PV
TWO PLACE DECIMAL	COMMENTS	
THREE PLACE DECIMAL		
INTERPRET GEOMETRIC TOLERANCING PER MATERIAL		
FINISH		
DO NOT SCALE DRAWING		

SIZE	DATE	NO. #	REV
A	June 10 2010		
TITLE:			
ORIZADA PARK ART			
The Train Has left the station			
SCALE: 1/4" = 1'-0"			
SHEET 1 OF 1			

APPLICATION	USED ON
4	
5	
3	
2	
1	