



CITY OF LONG BEACH

DEPARTMENT OF PUBLIC WORKS

R-17

333 WEST OCEAN BOULEVARD • LONG BEACH, CA 90802 • (562) 570-6383 • FAX (562) 570-6012

January 8, 2008

HONORABLE MAYOR AND CITY COUNCIL
City of Long Beach
California

RECOMMENDATION:

Determine that the granting of Facility/Pipeline Permit Supplement No. S-4-08, under existing Facility/Pipeline Permit No. P-11-50, to the County of Los Angeles Department of Public Works, will not be contrary to the public interest, and authorize the City Manager to issue said permit supplement in accordance with Section 15.44.060, Permit-Issuance, of the Long Beach Municipal Code, for the installation of an electrical cabinet and conduits for power and data transmission for the Los Angeles County Alamitos Seawater Barrier Project Telemetry System. (District 3)

DISCUSSION

The County of Los Angeles Department of Public Works (County) has filed an application for Facility/Pipeline Permit Supplement No. S-4-08, under existing Facility/Pipeline Permit No. P-11-50, to install an electrical cabinet and 235 feet of conduits for power and data transmission for the County's Alamitos Seawater Barrier Project Telemetry System. This installation will allow the County to monitor underground water parameters such as flow, pressure, and water elevation at their existing observation and injection wells. The system will enable the County to more efficiently use water injection to keep seawater away from the underground drinking water supply.

The cabinet will be installed in the easterly parkway of Margo Avenue, northerly of 6th Street. The underground conduits will run northerly from the cabinet to an existing power pole and southerly from the cabinet to connect to an existing data transmission conduit pull box in 6th Street. The location and routing of the proposed cabinet and conduits are shown on the attached vicinity map.

The Department of Public Works has reviewed the application and found the proposed cabinet and conduits to be compatible with existing installations and not an obstacle to any street use or any known proposed developments. Traffic control requirements stipulated by the Traffic and Transportation Bureau will be made a part of the special conditions for the excavation permit. The County, because it is a governmental agency, is not required by the Long Beach Municipal Code to file a bond or public liability insurance for this permit supplement.

AIRPORT
4100 Donald Douglas Dr.
Long Beach, CA 90808
Ph. (562) 570-2600
Fax (562) 570-2601

**BUSINESS OPERATIONS
BUREAU**
333 W. Ocean Blvd., 9th Floor
Long Beach, CA 90802
Ph. (562) 570-6383
Fax (562) 570-6012

**ENGINEERING & STREET
MAINTENANCE**
333 W. Ocean Blvd., 9th Floor
Long Beach, CA 90802
Ph. (562) 570-6634
Fax (562) 570-6012

**ENVIRONMENTAL
SERVICES**
2929 E. Willow Street
Long Beach, CA 90806
Ph. (562) 570-2850
Fax (562) 570-2861

**FACILITIES
BUREAU**
333 W. Ocean Blvd., 9th Floor
Long Beach, CA 90802
Ph. (562) 570-5786
Fax (562) 570-6012

**FLEET
SERVICES**
2600 Temple Avenue
Long Beach, CA 90806
Ph. (562) 570-5400
Fax (562) 570-5414

**TRAFFIC &
TRANSPORTATION**
333 W. Ocean Blvd., 10th Floor
Long Beach, CA 90802
Ph. (562) 570-6331
Fax (562) 570-7161

HONORABLE MAYOR AND CITY COUNCIL

January 8, 2008

Page 2

In conformance with the California Environmental Quality Act, a statutory exemption for this installation is being processed with the County Clerk. This matter was reviewed by Deputy City Attorney Lori A. Conway on December 17, 2007.

TIMING CONSIDERATIONS

City Council action on this matter is not time critical.

FISCAL IMPACT

The Long Beach Municipal Code stipulates that permit supplements issued to governmental agencies shall be exempt from the annual pipeline fee if the supplement is related to a permit issued prior to January 1, 2003. This supplement is related to their existing Facility/Pipeline Permit No. P-11-50, which was issued in the year 1950.

SUGGESTED ACTION:

Approve recommendation.

Respectfully submitted,



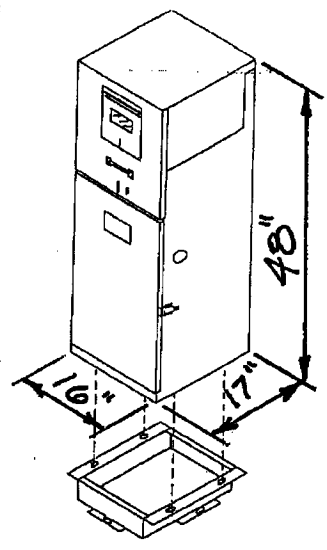
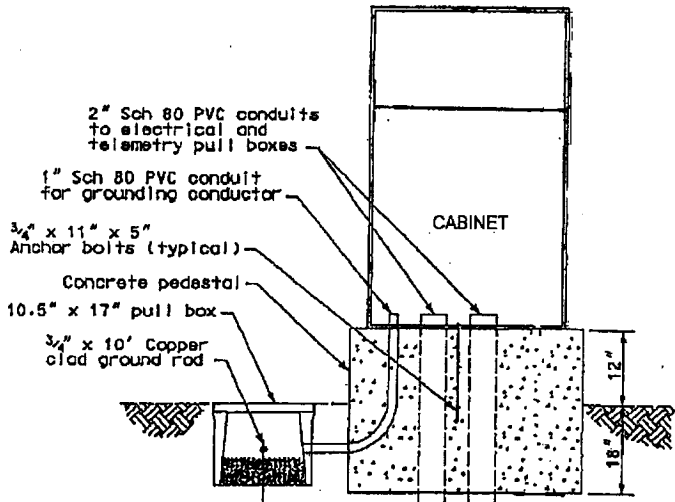
MICHAEL P. CONWAY
DIRECTOR OF PUBLIC WORKS

PICLLACDPW S-4-08
GMM:RC

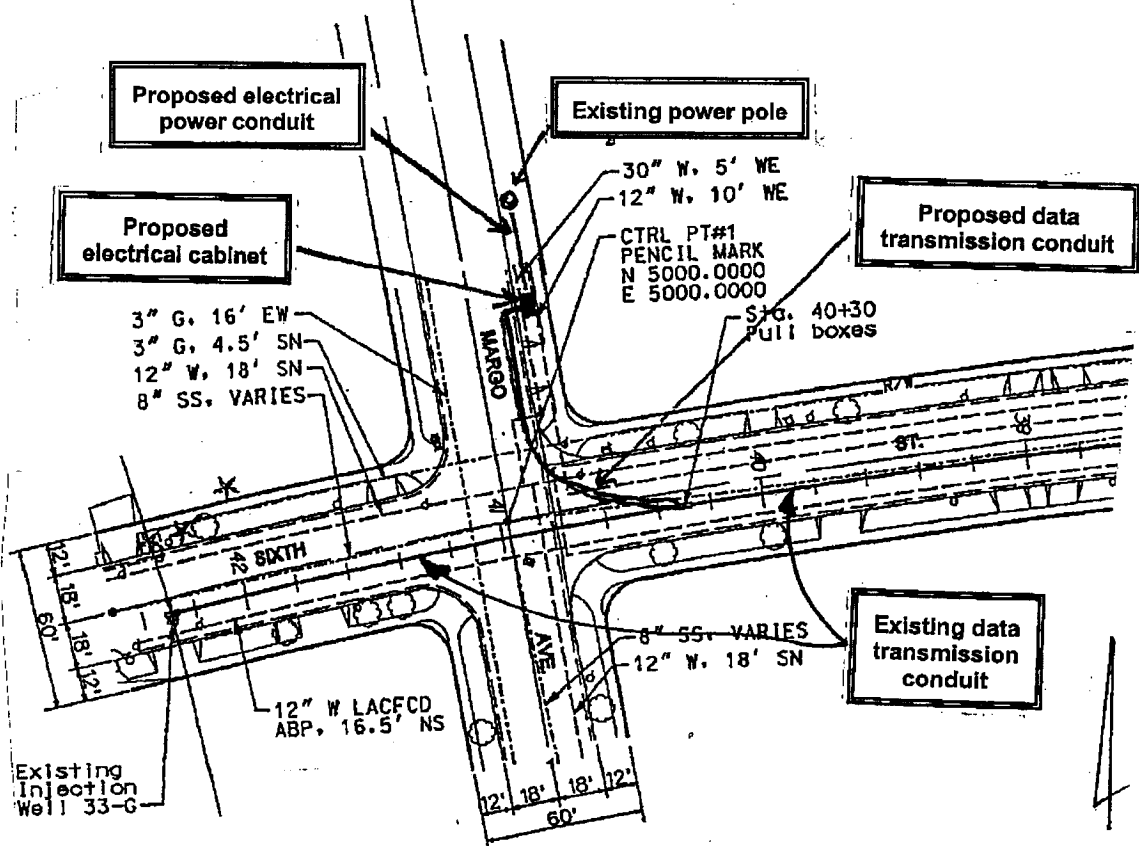
Attachment

APPROVED:


PATRICK H. WEST
CITY MANAGER



ELECTRICAL CABINET



VICINITY MAP

County of Los Angeles Department of Public Works
Proposed Facility/Pipeline Permit Supplement No. S-4-08 Under Existing Facility/Pipeline
Permit No. P-11-50 to Allow the Installation of a Cabinet and Conduits In City Streets